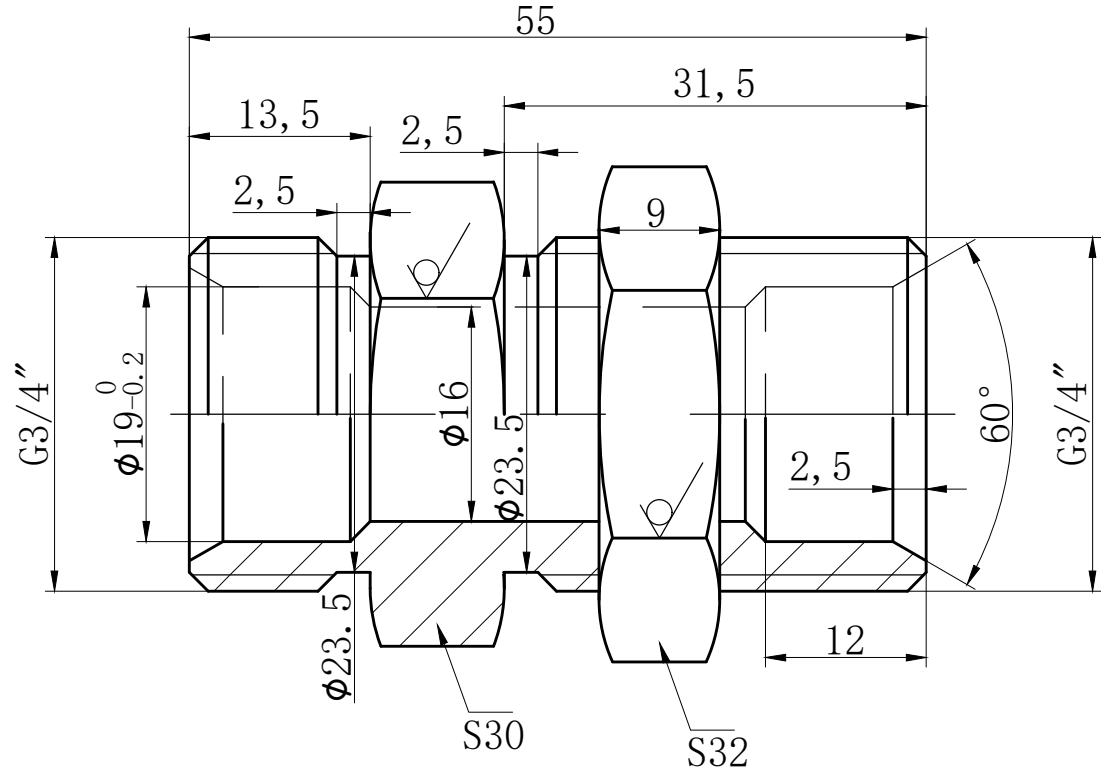


3.2



| | | | | | | | | |
|--|--|--|--|----------|----------------------|----------------------------|--|--|
| | | | | | Bulkhead unions 3/4" | | | |
| | | | | | | | | |
| | | | | | | | | |
| | | | | | | | | |
| | | | | MATERIAL | 316 | | | |
| | | | | DATE | 2022. 11. 17 | QINGDAO MR METALS CO., LTD | | |